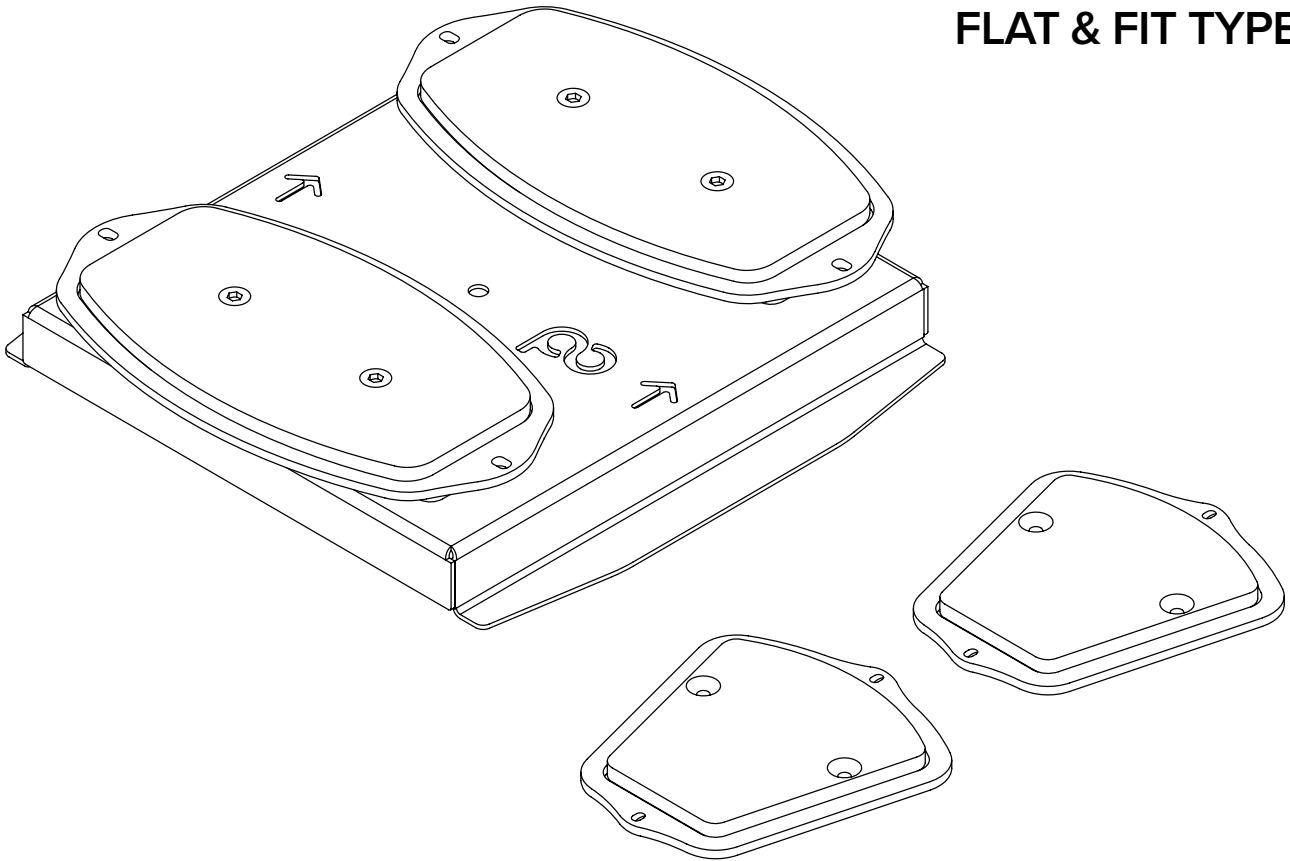


**FLAT & FIT TYPES**



COMPATIBLE WITH

**TexJet**<sup>®</sup>  
echo<sup>2</sup>

**TexJet**<sup>®</sup>  
shortee<sup>2</sup>

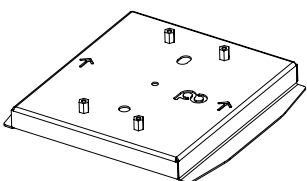
**TexJet**<sup>®</sup>  
echo



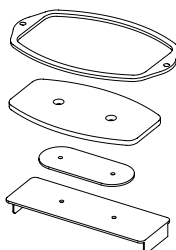
CADLINK-RIP SOFTWARE  
Digital Factory Apparel, Polyprint Edition v10

**COMPONENTS INCLUDED**

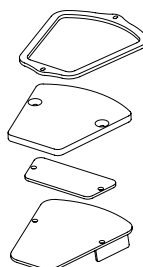
Main platen  
x1



FLAT type platen  
set x2



FIT type platen  
set x2



**TOOLS REQUIRED**

Allen Wrench  
2,5mm  
(not included)



# ! WARNING

## SERIAL NUMBERS, FIRMWARE AND SOFTWARE VERSIONS



Face Mask Platen can be used only with the shown firmware & software versions or later.

Please refer to the printer's user manual for checking your firmware version.

If update is required please contact your local support or fill in the following e-form here:  
[polyprintdtg.com/support](http://polyprintdtg.com/support)



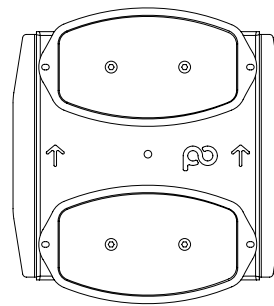
Printer	Serial Numbers	Firmware	Software
TexJet <sup>®</sup> echo <sup>2</sup>	xxxxHHExxxx	1.5.05 or later	CMYK +4W 1.23 or later
	xxxxHFExxxx	2.50 or later	2x CMYK 1.20 or later
	xxxxHGExxxx		
TexJet <sup>®</sup> shorttee <sup>2</sup>	All S/N	1.5.05 or later	CMYK +4W 1.20 or later  2x CMYK 1.15 or later
TexJet <sup>®</sup> echo	xxxxEBExxxx	Contact your local support or visit <a href="http://polyprintdtg.com/support">polyprintdtg.com/ support</a>	CMYK +4W 1.96 or later
	xxxxFBExxxx		
	xxxxGCExxxx		
	xxxxGDExxxx		
	xxxxGEExxxx		2x CMYK 1.37 or later

## PLATEN SET UP OPTIONS

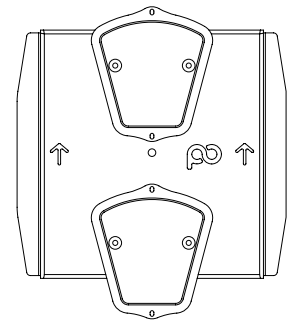


Use the Polyprint Face Mask Platen **only** with the two different options shown in diagram. Ensure the arrows are **facing inwards** the printer.

**Do not** combine installation options. Mask platens must be placed as shown. **Incorrect installation of plates may damage the printer.**



FLAT type option



FIT type option

## INSTALLING/UNINSTALLING

Allen Wrench  
2,5mm

